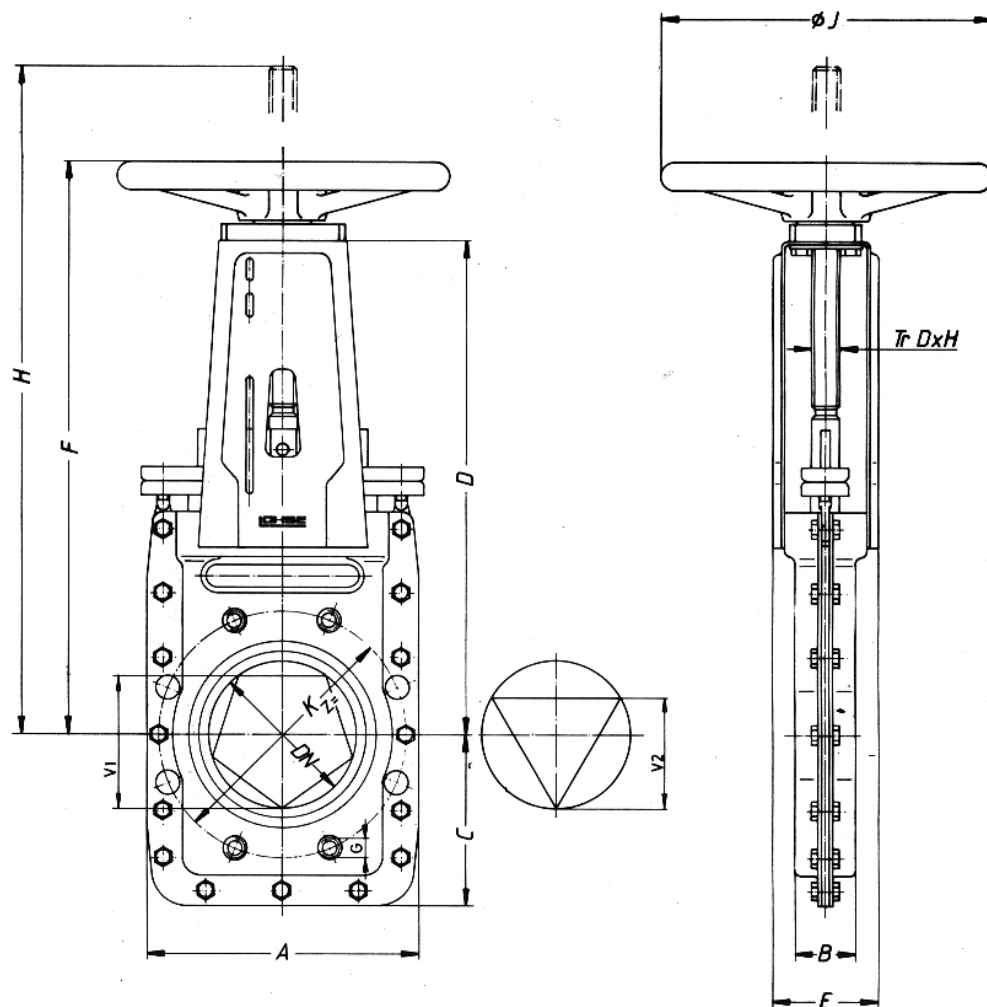


# CBSH



PA Ventiler AB



**CBSH**

**DN 50-150**

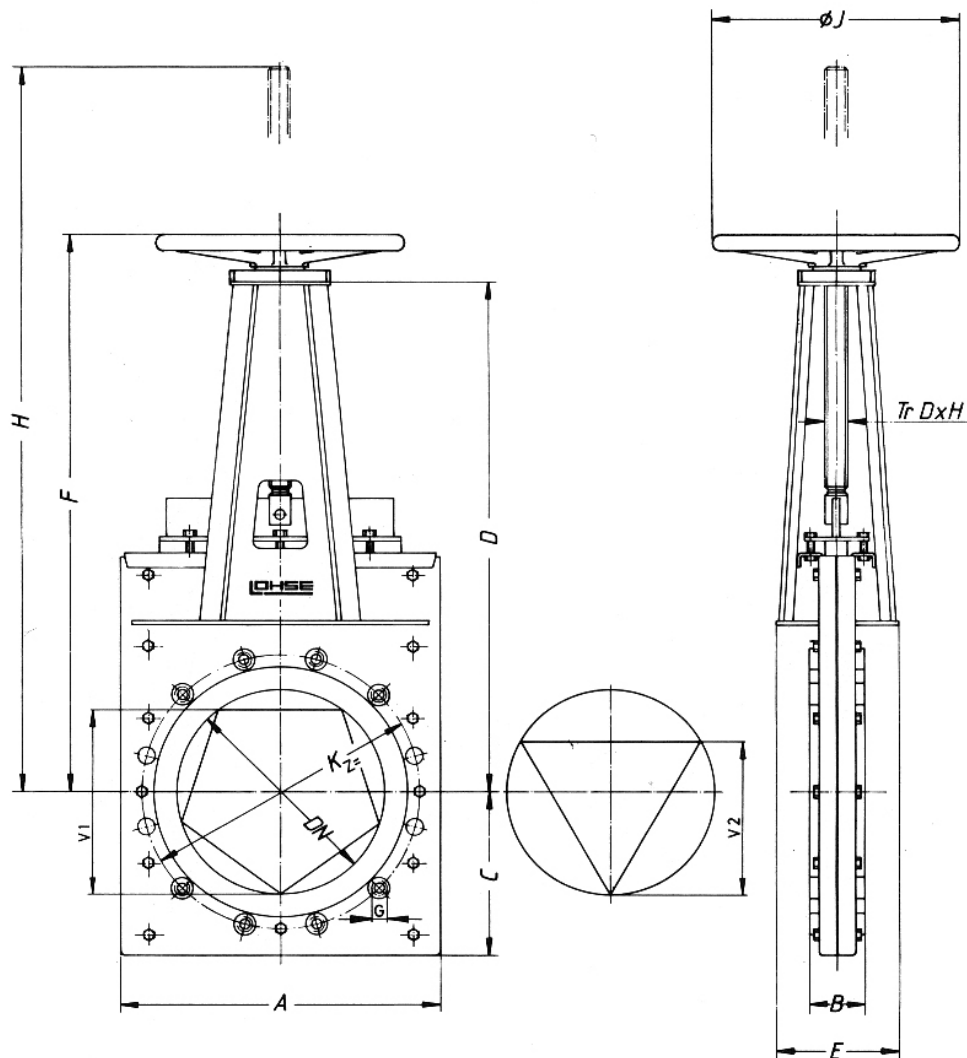
Skjutspjällsventil helt i syrafast stål, för reglering, handratt  
Regulating knife gate valve in acid resistant steel, handwheel drive

DN	Bar	A	B	C	D	E	F	G	H	Ø I	K	Z	V1	V2	Tr D x H	Vikt/kg
50	8	210	40	100	300	77	352	M 16	397	225	125	4	45	38	20x3	9,0
65	8	210	40	100	300	77	352	M 16	412	225	145	4	59	49	20x3	9,5
80	8	185	50	125	310	82	362	M 16	437	225	160	8	72	60	20x3	10,0
100	8	210	50	135	370	92	438	M 16	521	280	180	8	88	73	24x4	12,5
125	8	240	50	145	420	92	487	M 16	595	280	210	8	110	92	24x4	15,5
150	8	258	60	160	465	92	532	M 20	665	280	240	8	133	110	24x4	19,5

# CBSH



PA Ventiler AB



**CBSH**

**DN 200-400**

Skjutspjällsventil helt i syrafast stål, för reglering, handratt  
Regulating knife gate valve in acid resistant steel, handwheel drive

DN	Bar	A	B	C	D	E	F	G	H	Ø I	K	Z	V1	V2	Tr D x H	Vikt/kg
200	8	330	60	190	558	162	635	M 20	821	360	295	8	181	150	30x12	38,0
250	8	400	70	230	668	168	745	M 20	981	360	350	12	226	188	30x12	51,0
300	6	460	70	260	768	168	845	M 20	1131	360	400	12	271	225	30x12	67,0
350	6	520	70	290	905	168	1017	M 20	1350	500	460	16	317	263	36x12	96,0
400	6	580	90	325	1055	172	1167	M 24	1550	500	515	16	362	300	36x12	139,0