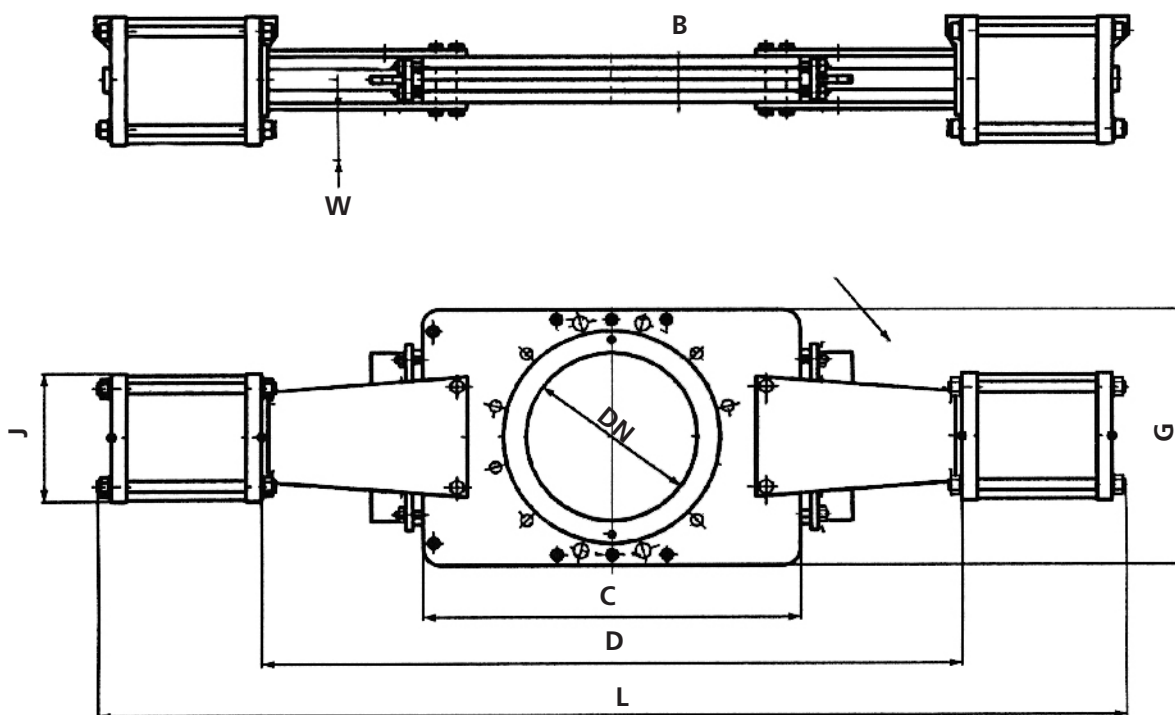


# TAP



PA Ventiler AB



## TAP

DN 50-800

Rejectslussventil med två pneumatiska cylindrar, helt i syrafast stål  
Reject valve with two pneumatic cylinders, in acidresistant steel

DN	Bar	B	C	D	L	G	W	J	Ansl	Cyl
100	4	50	300	590	958	200	55	138	1/4"	125
125	4	50	325	640	1034	230	55	138	1/4"	125
150	4	60	370	720	1133	255	55	158	1/4"	145
200	4	60	460	870	1358	310	55	190	1/2"	175
250	4	70	550	1020	1560	380	55	190	1/2"	175
300	2	70	600	1122	1710	430	55	215	1/2"	200
350	2	70	700	1290	1990	490	55	246	1/2"	230
400	2	90	800	1580	2330	540	55	246	1/2"	230
450	2	110	900	1730	2530	600	55	246	1/2"	230
500	2	110	1100	2010	2899	650	55	318	1/2"	300
600	2	110	1300	2320	3309	800	55	318	1/2"	300
700	2	110	1500	2720	3968	930	55	425	3/4"	400
800										